

SUBMITTAL DATA SHEET

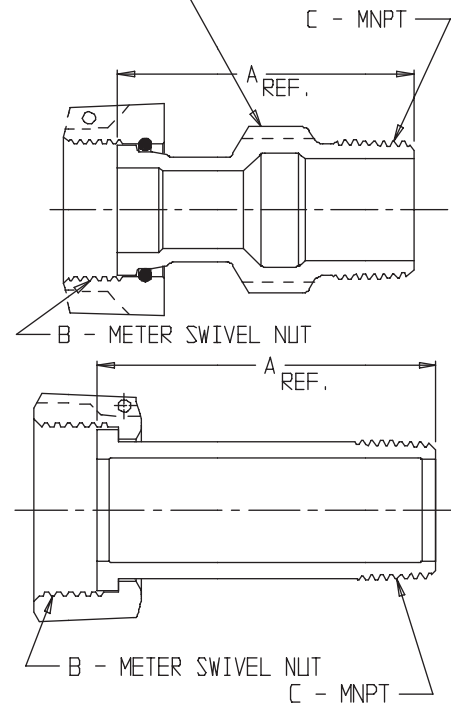


NL Meter Coupling – 74620

Meter Swivel Nut With Wire Seal Hole x MNPT

*NOTE: USE RETAINING RING AS PICTURED HERE

MODEL	SIZE	A	B	C
74620	5/8	2.38	5/8	1/2
74620*	5/8 X 3/4	2.19	5/8	3/4
74620	3/4	2.50	5/8 X 3/4, 3/4	3/4
74620	3/4 X 1/2	2.38	5/8 X 3/4, 3/4	1/2
74620*	3/4 X 1	2.50	5/8 X 3/4, 3/4	1
74620	3/4 X 2	2.00	5/8 X 3/4, 3/4	3/4
74620	3/4 X 2 1/4	2.25	5/8 X 3/4, 3/4	3/4
74620	3/4 X 2 3/4	2.75	5/8 X 3/4, 3/4	3/4
74620	3/4 X 3	3	5/8 X 3/4, 3/4	3/4
74620	3/4 X 8 1/2	8.50	5/8 X 3/4, 3/4	3/4
74620*	3/4 X 12	12.00	5/8 X 3/4, 3/4	3/4
74620	1	2.62	1	1
74620	1 1/2	2.84	1 1/2	1 1/2
74620	2	3.00	2	2



SUBMITTAL INFORMATION

- Manufactured in compliance with ANSI/AWWA C800 (latest revision)
- Brass components in contact with potable water conform to ASTM B584, UNS C89833 (latest revision) and identified with “NL”
- Certified to NSF/ANSI 61 and NSF/ANSI 372
- Brass components not in contact with potable water conform to ASTM B62 and ASTM B584, UNS C83600 -85-5-5-5 (latest revision)
- Large wrench area provided for proper installation
- Made in the United States of America



A.Y. McDonald Mfg. Co.
P.O. Box 508
Dubuque, IA 52004-508

Toll Free: 1-800-292-2737
Fax: 1-800-832-9296
Hours: 7:00 a.m. – 5:00 p.m., CST

sales@aymcdonald.com
www.aymcdonald.com

A.Y. McDonald considers the information on this assembly drawing correct when published. Item and option availability, including specifications, are subject to change without notice.

Submitted by:

05-11